

C0406

6-Slot **CompactPCI®** Platform



Ordering Information Specifications

C0406
6-slot CompactPCI enclosure

Chassis

- 4U Height
- 7" x 17" x 14.4", 178 x 432 x 366 mm (hwd)

Backplane

- Integrated 6-slot H.110 compliant backplane
- 4 to 5 full hot-swap I/O slots

Drive Expansion

- Up to 80Gb HDD
- IDE, CD-ROM and Floppy

Thermal Management

- 85 CFM fan, front to back cooling
- 40 CFM power supply and drive cooling fan

Power Subsystem

- 320W AC input power supply
- Input voltages: 90-132/180-250 VAC
- Output Power: +3.3V@20A, +5V@32A, +12V@11A, -12V@1A
- Combined total output of +3.3V and +5V not to exceed 160W
- Optional UK, European or IEC to IEC power cables

Operating Environment

- Temperature: 0° to 40° C
- Humidity: 5% to 95% @45° C (non-condensing)
- Shock: 2.5G @10ms
- Vibration: 0.25G @5-100Hz

Standards Compliance

- PICMG 2.0 R3.0, PICMG 2.1 R2.0, PICMG 2.3 R1.0, PICMG 2.5 R1.0, PICMG 2.10 R1.0
- ESD: CE
- EMI: CE, FCC, UL/CUL
- Safety: UL/CUL, CE, CB

Warranty

- One year return to factory warranty on system and parts



C0406

6-Slot **CompactPCI®** Platform

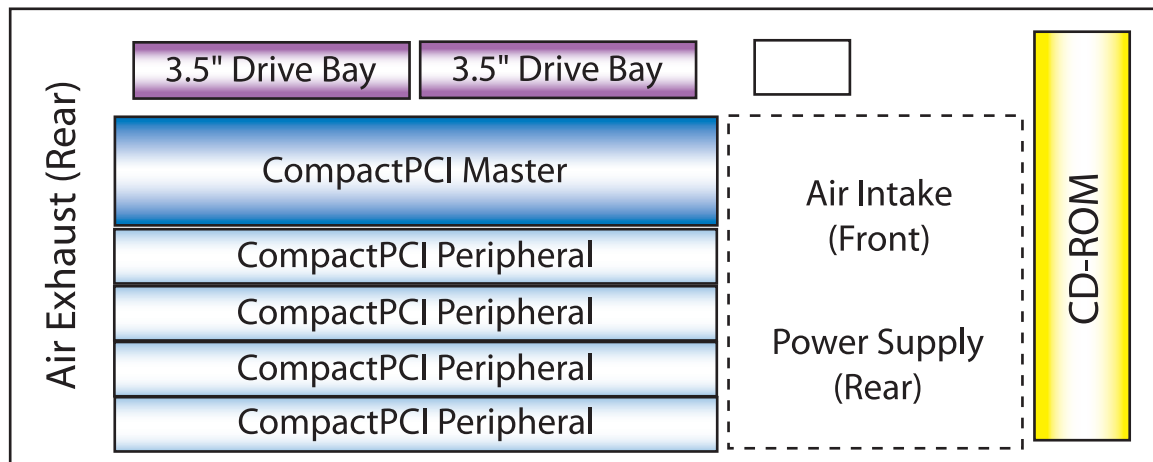
I-Bus provides a range of CompactPCI solutions including integrated platforms for both Intel and Sun environments and OEM development platforms, and system boards featuring the latest on-board features and processing power. The C0406 is a CompactPCI platform designed as one of the building blocks to set fully integrated Application Ready Platforms (ARPs).

For a fully integrated solution, please see :

- I-Bus cPCI-4U/CEP
- I-Bus cPCI-4U/CES

The flexible C0406 platform meets the stringent space and environmental requirements of the co-location facility, network data center and customer premise equipment locations across the globe. It integrates seamlessly and efficiently into Computer Telephony, Network Edge, Industrial Control and Medical Imaging applications that require the many features of CompactPCI. These features include, full hot swap I/O modules for maintainability and scalability, highly efficient board cooling and a high density form-factor. It is ideal as high availability nodes in a fully redundant cluster system, complete with clustering middleware.

As options, it can be shipped with full Hot-Swap middleware and/or an optional High Availability clustering middleware.



For Further Information

Worldwide Headquarters

I-Bus Corporation
 3350 Scott Blvd, Building 54
 Santa Clara, CA 95054
 United States
 Phone : +1 (408) 450-7880
 Fax : +1 (408) 450-7881
Toll Free: 877-777-IBUS
 Email: contact.us@ibus.com

European Headquarters

I-Bus UK Ltd
 Unit 6, Chichester Business Park
 City Fields Way, Tangmere
 West Sussex, PO20 2LB, UK
 Tel: +44 (0) 1243 756300
 Fax: +44 (0) 1243 756301
 Email: contact.uk@ibus.com

France, Italy

I-Bus France
 B.P 45 Valbonne
 06901 Sophia Antipolis CEDEX
 France
 Tel: +33 (0) 493 004 360
 Fax: +33 (0) 493 004 369
 Email: contact.fr@ibus.com