

# PR4C-S2

## 4U 8-slot full-size Industrial Node Chassis (Shoe-box)



### Ordering Information

#### PR4C-S2-08P4-330X

8-slot full-sized industrial node chassis with 8-slot (4xPCI) PICMG backplane and 330W ATX power supply

#### PR4C-S2-08P4-D3501P

8-slot full-sized industrial node chassis with 8-slot (4xPCI) PICMG backplane and 350W Active PFC ATX power supply

#### Passive Backplane and Power Supply Options

(call us for availability)

### Specifications

#### Dimensions

- 330(W) x 420.8(D) x 172(H) mm  
12.99"(W) x 16.56"(D) x 6.77"(H)
- Heavy duty steel

#### Colour Options

- Silver, Black

#### Passive Backplane Options

- PBP-08I
- 8-slot PISA bus PICMG PBP-08P4
- 8-slot PISA bus (4xPCI) PICMG PBP-08P3
- 8-slot PISA bus (3xPCI) PICMG

#### Drive Bays

- Front-accessible drive(s)
- Two (2) 5.25": External
- Two (2) 3.5" HDD: Internal

#### Cooling

- One (1) 12 cm fan
- One (1) replaceable air filter at front

#### Front Panel

- Power (ON/OFF) and reset switches
- Power (ON/OFF) and HDD indicators
- Two (2) USB connectors

#### Rear Panel

- Access window for power supply
- Access window (slot I/O brackets, connectors, etc.)

#### Power Supply Options

- 350W Active PFC ATX

#### Operating Environment

- Temperature: 0° to 50° C (operating)
- Temperature: -40° to 70° C (non op.)
- Humidity: 5% to 95% @40°C (non-cond.)
- Vibration: 5~7 Hz: 0.5" double amp. disp.  
7~2000 Hz: 1.5g acceleration

#### Standards Compliance

- ESD: CE
- EMI: CE, FCC, UL/cUL
- Safety: UL/cUL, CE

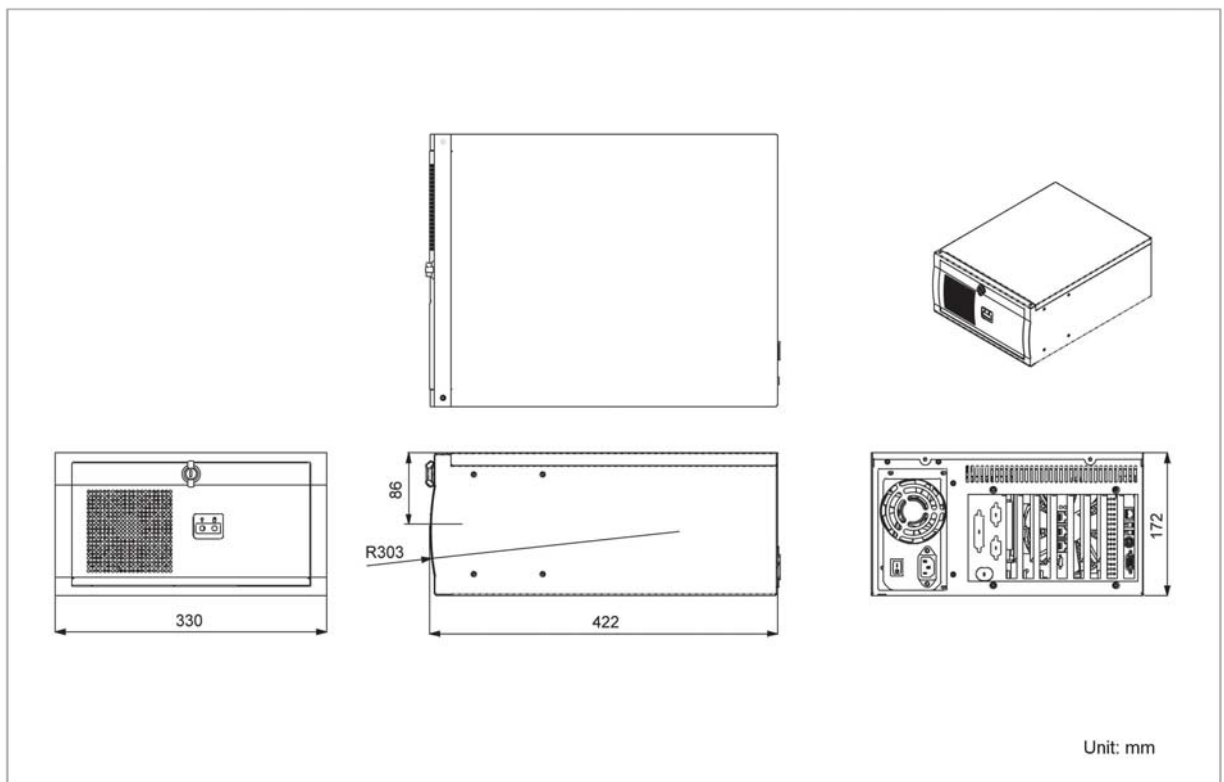
## PR4C-S2

### 4U 8-slot full-size Industrial Node Chassis (Shoe-box)

The PR4C-S2 Solution features:

- 5.25" drive space for CD-ROM or mobile rack
- Two USB ports at the front
- One replaceable air filter
- Can be vertically or horizontally mounted
- Two adjustable positions for hold-down card retainer
- Both 8-slot ISA and PICMG backplane applicable
- Field replaceable power supply bracket for both normal PS/2 power supply and PS/2 type redundant power supply

#### PR4C-S2 Dimension Diagram



#### For Further Information



##### Worldwide Headquarters

I-Bus Corporation  
 3350 Scott Blvd, Building 54  
 Santa Clara, CA 95054  
 United States  
 Phone : +1 (408) 450-7880  
 Fax : +1 (408) 450-7881  
**Toll Free: 877-777-IBUS**  
 Email: contact.us@ibus.com

##### European Headquarters

I-Bus UK Ltd  
 Unit 6, Chichester Business Park  
 City Fields Way, Tangmere  
 West Sussex, PO20 2LB, UK  
 Tel: +44 (0) 1243 756300  
 Fax: +44 (0) 1243 756301  
 Email: contact.uk@ibus.com

##### France, Italy

I-Bus France  
 B.P 45 Valbonne  
 06901 Sophia Antipolis CEDEX  
 France  
 Tel: +33 (0) 493 004 360  
 Fax: +33 (0) 493 004 369  
 Email: contact.fr@ibus.com